



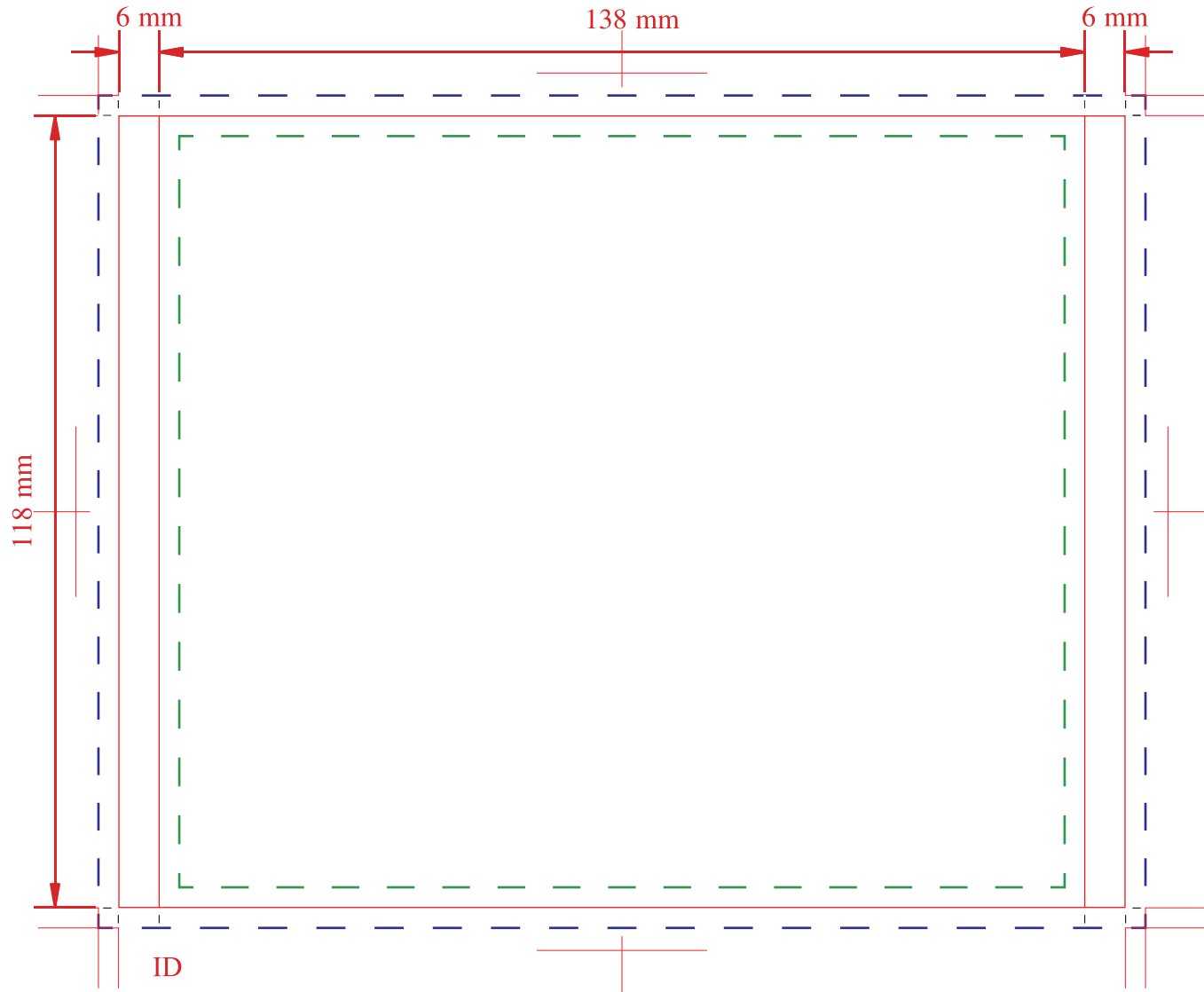


Finish Size: 138x6x118mm

Extended Bleed Area  
Text Safe Region

3mm bleed must be added to all trim edges  
File in CMYK format at 300 DPI  
All fonts converted to curves or paths  
Keep template layers and artwork layers separate

# OUTSIDE



# INSIDE

